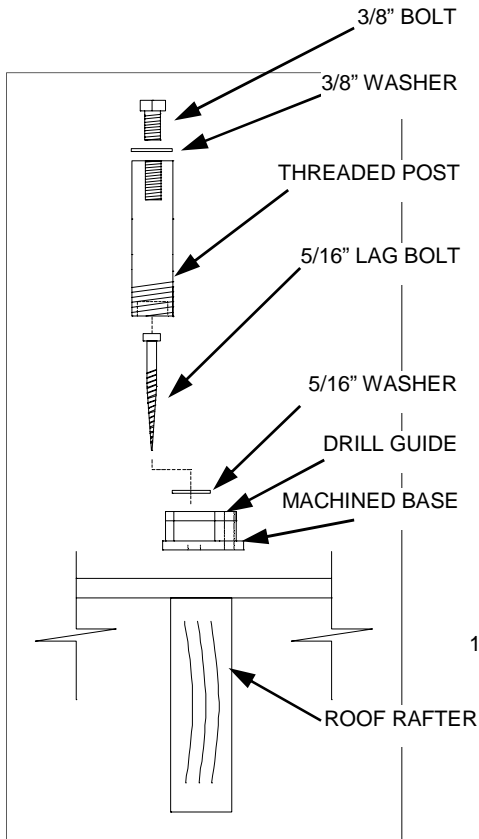
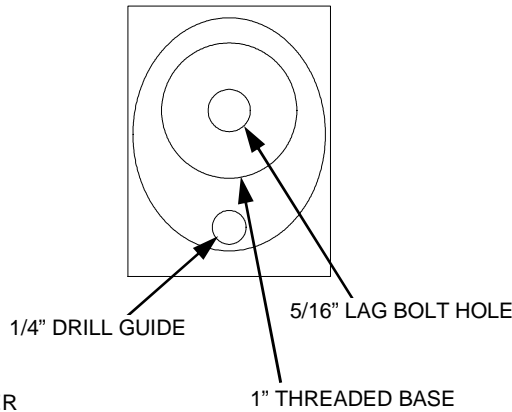


INSTALLATION OF THE FASTJACK® FLASHABLE ROOF STANCHION

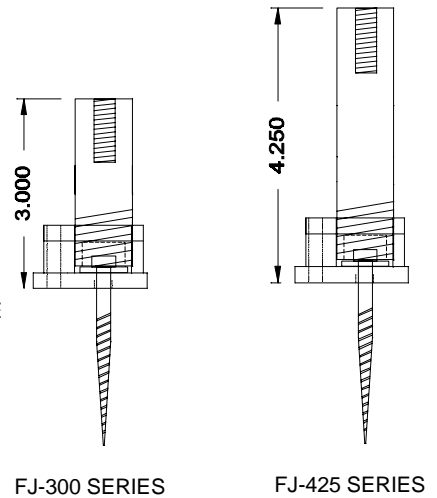


FASTJACK™ INSTALLED PARTS DIAGRAM

FASTJACK® flashable mount system includes a machined aluminum base with integrated drill guide, 1" aluminum threaded post and stainless steel hardware. The FJ Series patented (pat #6,360,491) design is engineered to provide structural attachment of modules when conventional roof flashings are required. FJ mounts are available in two sizes; the 4-1/4" FJ-425 (for conventional metal flashings) and the 3" FJ-300 for Oatey® style (low profile) neoprene flashings. The FJ design allows all flashings to install flat on the roof decking. FJ's superior strength while using only one single lag bolt (included) results from having the bolt installed directly under the support post. The system has been laboratory tested to 1,200 pounds and along with it's integrated drill guide insures perfect connections every time.



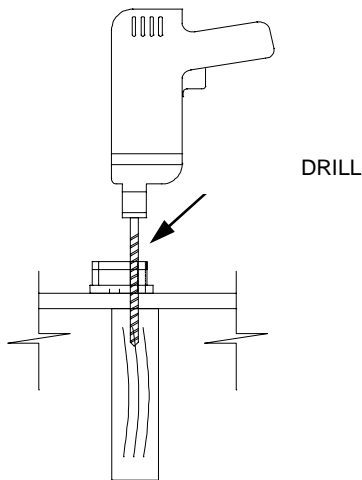
REQUIRED TOOLS:
1/4" DRILL BIT AND POWER DRILL
1/2" SOCKET
1" PIPE PLIERS



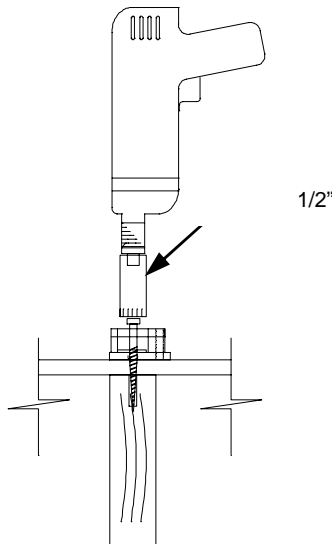
FJ-300 SERIES

FJ-425 SERIES

DRILLING THE PILOT HOLE
Place the mount base of the over the location of the rafter. Align the 1/4" (drill guide) over the rafter center. While holding the base—insert the bit through the guide and drill down approx 1" into the roof.



BOLTING INTO THE RAFTER
Place the 5/16" lag bolt thru the washer and AF base. Insert the lag bolt into the pilot hole made in the roof. Drive the lag bolt into the rafter using a 1/2" socket and impact wrench.



INSTALLING THE POST SUPPORT
Screw the threaded post into the base and tighten with a pipe pliers. Install the flashing over the post and attach the module support using the 3/8" bolt and washer (included).

